



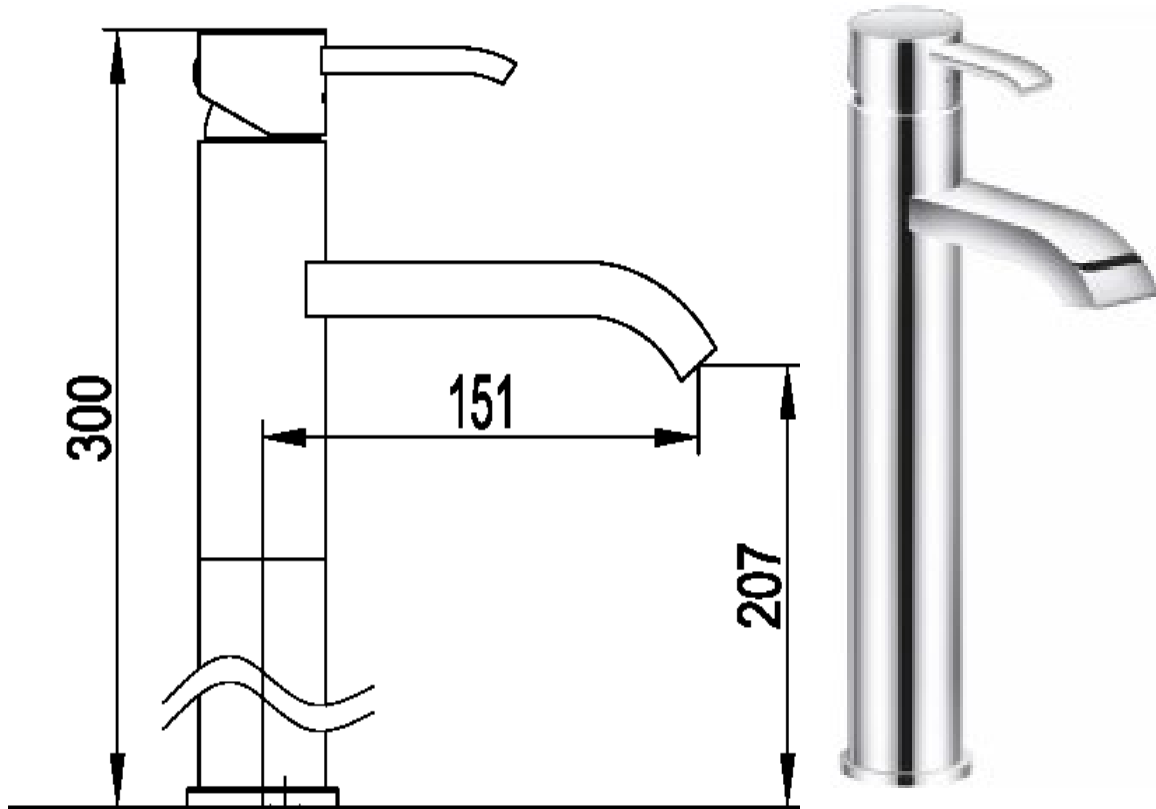
DADO

TIMELESS LUXURY

ENDURING QUALITY

AQUALINE BASIN MIXER: HIGH SQUARE | SOKOSA812L

300 x 180mm



Product Specification

Product Code: | SOKOSA812L

- | | | | |
|--------------------|-----------------|------------------|--------------------|
| • Size: | 300x180mm | • Colour: | Chrome plated |
| • Pipe diameter: | 40mm | • Finish: | Ceramic cartridges |
| • Water capacity: | 16,2L/min | • Base diameter: | 50mm |
| • Material: | Solid brass | • Warranty: | 15 Years |
| • Matching basins: | All DADO basins | | |

www.dado.co.za

DADO Manufacturing pursues a policy of continual development and improvement and as such, product specifications may be changed without prior notice. All dimensions listed herein are only intended as a guide. Cast products are subject to size variants of +/- 5%. The exact colour and finish of the products may vary from those depicted in the brochure. *In addition to the natural pearl white and gloss finish, DADO bathtubs and basins are now available in custom matte colours with a lead time of 4 weeks. DADO Manufacturing recommends that for absolute clarity in the selection of options, visit the nearest DADOquartz approved stockist.