

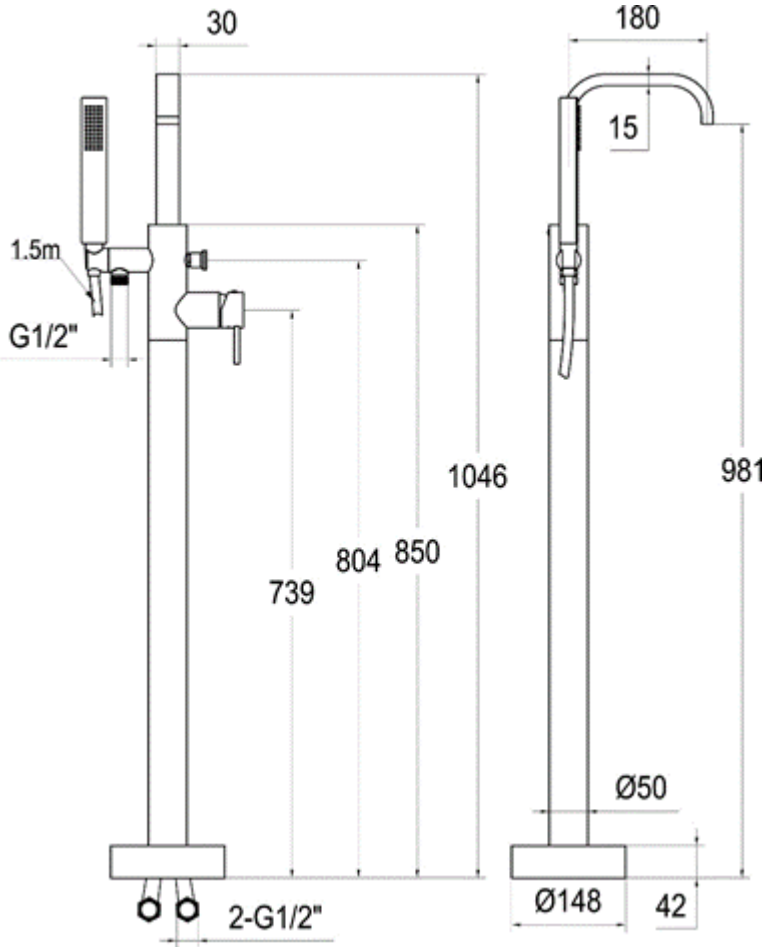


DADO

TIMELESS LUXURY

ENDURING QUALITY

## AQUALINE SQUARE | SQKM002 1150 x 50mm



## Product Specification

Product Code: SQKM002

- Size: 1150x50mm
- Pipe diameter: 50mm
- Water capacity: 16L/min
- Material: Solid brass
- Matching bathtubs: All DADO bathtubs

- Colour: chrome plated
- Finish: Ceramic cartridges
- Base diameter: 142mm
- Warranty: 15 Years

[www.dado.co.za](http://www.dado.co.za)

DADO Manufacturing pursues a policy of continual development and improvement and as such, product specifications may be changed without prior notice. All dimensions listed herein are only intended as a guide. Cast products are subject to size variants of +/- 5%. The exact colour and finish of the products may vary from those depicted in the brochure. \*In addition to the natural pearl white and gloss finish, DADO bathtubs and basins are now available in custom matte colours with a lead time of 4 weeks. DADO Manufacturing recommends that for absolute clarity in the selection of options, visit the nearest DADOquartz approved stockist.