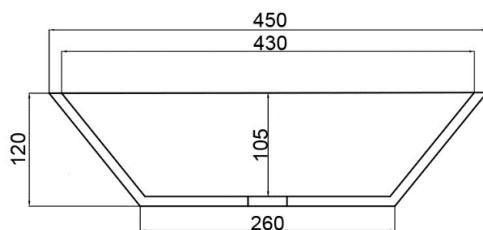
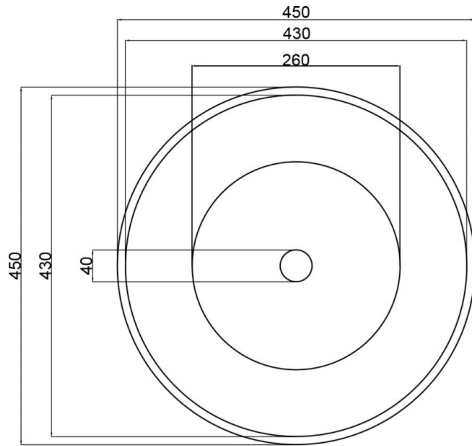




EDEN BASIN | SWMBAS43

450 x 450 x 120mm



Product Specification

Product Code: SWMBAS43

- | | | | |
|-------------------|----------------|-----------------------|------------------|
| • Size: | 450x450x120mm | • Base dimensions: | 260mm |
| • Top to waste: | 105mm | • Rim width: | 10-15mm |
| • Waste diameter: | 40mm | • Weight: | 5kg |
| • Overflow: | No overflow | • Tap holes: | Without tap hole |
| • Material: | DADOquartz | • Packing dimensions: | 470x470x180mm |
| • Colour: | White/Custom* | • Shipping mass: | 10kg |
| • Finish: | Matte/Polished | • Warranty: | Lifetime |

www.dado.co.za

DADO Manufacturing pursues a policy of continual development and improvement and as such, product specifications may be changed without prior notice. All dimensions listed herein are only intended as a guide. Cast products are subject to size variants of +/- 5%. The exact colour and finish of the products may vary from those depicted in the brochure. *In addition to the natural matte white and polished finish, DADOquartz bathtubs and basins are now available in custom matte colours with a lead time of 4 weeks. DADO Manufacturing recommends that for absolute clarity in the selection of options, visit the nearest DADOquartz approved stockist.